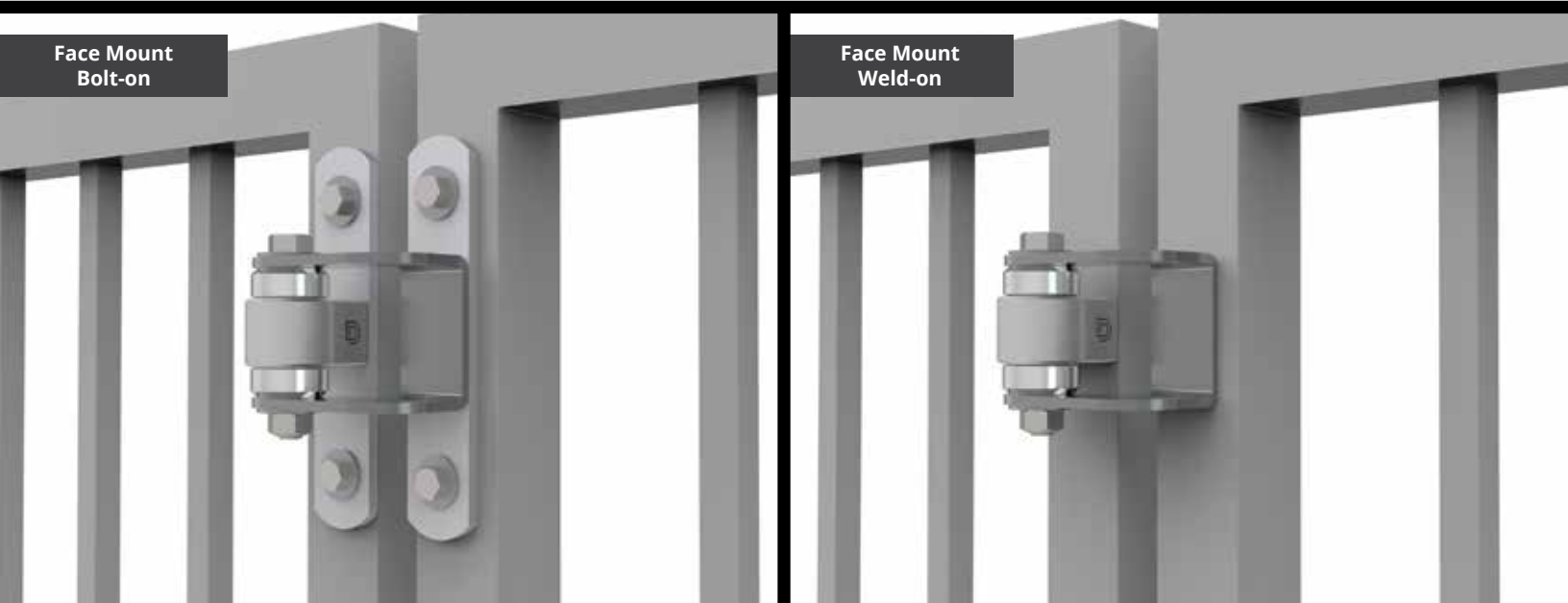




# Shut It® Face Mount BadAss Gate Hinges

New Face Mount gate hinge opens to a full 180° in one direction for unobstructed passage.  
Manufactured with exclusive maintenance-free high-temperature sealed bearings,  
safe to powder coat with hinges installed on gate.  
Available in bolt-on or weld-on models.



## Face Mount Gate Hinge

- Opens gates to 180° for unobstructed pass through
- Horizontally adjustable for perfect installations and proper gate movement
- Adjustability enables gate gaps as small as ½" for an aesthetic appearance and heightened security
- Exclusive offering of bolt-on or weld-on versions
- Safe to powder coat with hinges installed on gate
- High-temperature sealed bearings require no greasing – no maintenance. EVER!
- CNC machined to the tightest tolerance in the industry and near frictionless movement
- Maximum gate weight of 1,100 lb (500kg)
- Tested to 1 Million Open / Close Cycles
- Zinc electroplating for long lasting rust and corrosion protection
- Limited Lifetime Warranty

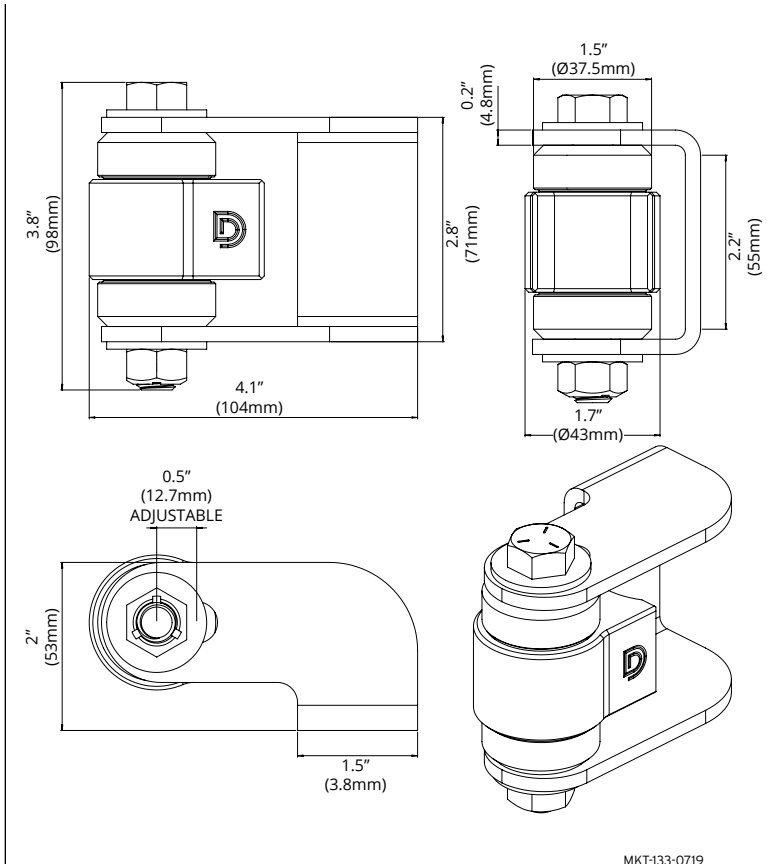
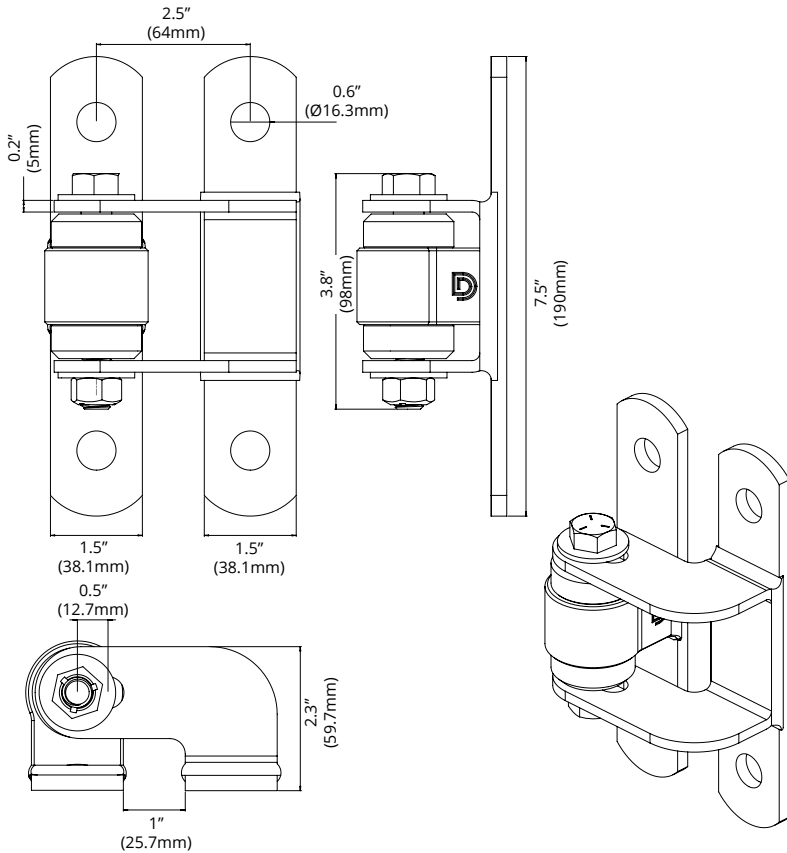
Code	Product Name	Gate Gap	Finish	# of Sealed Bearings	Max Gate Weight	Max Gate	Yoke Material	Body Material	Height	Weight
CI3720	Face Mount Bolt-On BadAss	0.5-1.0" (13-25mm)	Zinc	2	1,100 lb (500kg)	2,000 lb (900kg)	Steel	Steel	7.5" (191mm)	3.8 lb (1.7kg)
CI3050	Face Mount Weld-On BadAss	0.5-1.0" (13-25mm)	Zinc	2	1,100 lb (500kg)	2,000 lb (900kg)	Steel	Steel	3.9" (98mm)	1.8 lb (0.8kg)



Face Mount Bolt-on



Face Mount Weld-on



MKT-133-0719